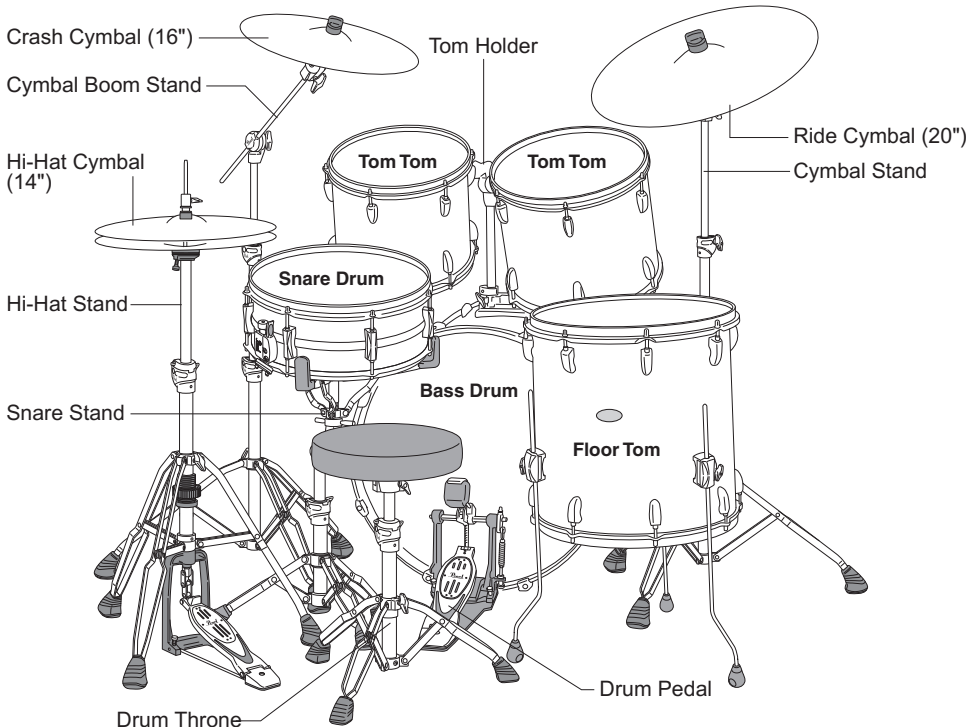


PEARL DRUMS
VISION
SERIES

Instruction Manual

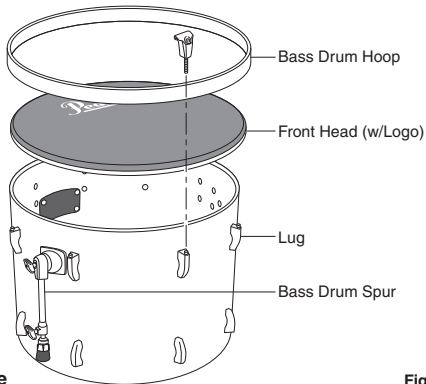
Congratulations on your purchase! To get optimum performance from your Pearl drum set, please read this Instruction Manual first before playing.



Bass Drum Assembly

Please follow the assembly instructions below.

1. Place the shell on a clean, solid surface with the Bass Drum Spurs and the Tom Holder Bracket facing upward. Put the Front Head with Logo on the shell then attach the Hoop with flat side down on the rim of the head (Fig.1).



Note

Fig.1

Note

The Hoop without the Hoop Protector (Fig.4) is used on the front head.

2. Assemble a Tension Rod and Hook as shown and hook it on the Hoop above a Lug then finger tighten the Tension Rod into the Lug Nut. Attach the rest of the Tension Rods/Hooks on this side of the drum (Fig.2).

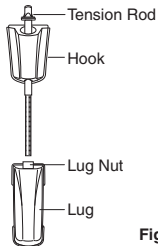


Fig.2

3. Turn the drum over and attach the other Head and Hoop using the remaining Tension Rods/Hooks (Fig.3). Position the Hoop Protector at the bottom of the bass drum (Fig.4) where the Pedal is to be attached.

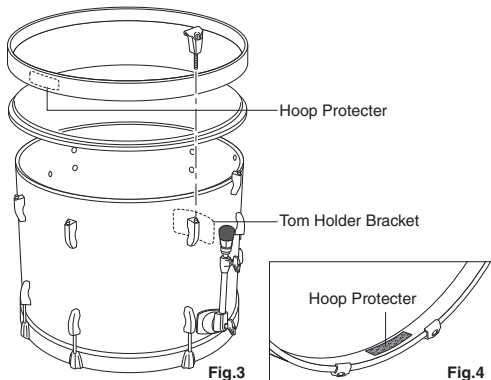


Fig.3

Fig.4

4. Position the bass drum upright and set the Bass Drum Spurs as shown with the front of the drum about an inch off the floor.

The Bass Drum Spurs have spike tips (for added slip resistance) that can be exposed by turning the Lock Nut and Rubber Tip clockwise (Fig.5)

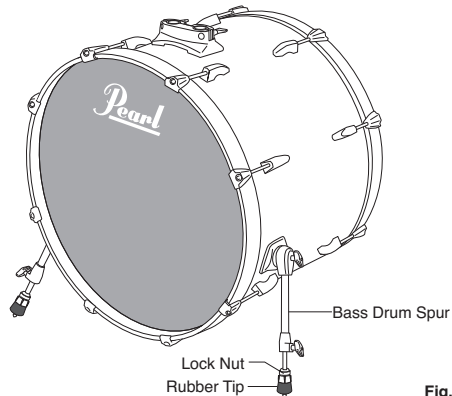


Fig.5

Note

Use the spikes only on thick carpeted surfaces to prevent damage to the flooring underneath.

Tom Tom / Floor Tom Assembly

Please follow the assembly instructions below.

1. Place the shell on a clean, solid surface. Put the Head on the shell followed by the Steel Hoop.
2. Line up the ears of the Steel Hoop over the Lugs. Insert the Tension Rods through the ears of the Steel Hoop and finger-tighten them into the Lug Nuts as shown in Fig. 6.
3. Turn the drum over and attach the other Head and Steel Hoop with the remaining Tension Rods.
4. If your set has a floor tom, attach the Floor Tom Legs to the Floor Tom Leg Brackets as shown and set the height and tilt to your preference (Fig.6 , 7).

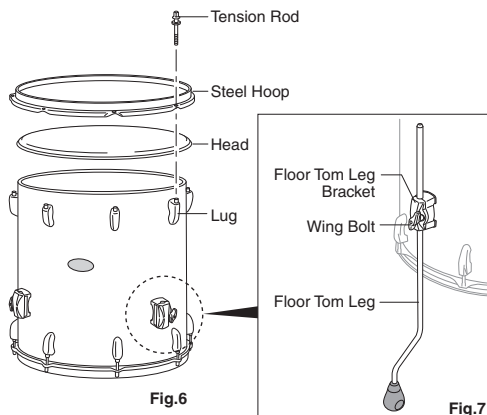


Fig.6

Fig.7

Attaching the I.S.S.

To attach the I.S.S. mount, loosen the key bolts on the hooks and clip the hooks over the upper hoop of the tom as shown. Slip the base plate under the edge of the hoop and center the I.S.S. between the two nearest lugs then tighten the key bolts securely (Fig. 8, 9).

The I.S.S. mount can be quickly removed and reattached when changing heads.

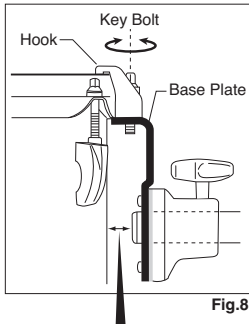


Fig.8

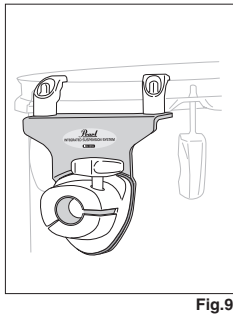


Fig.9

Note

Keep a space between the end of the Tom Holder and the surface of the drum to prevent damage to the drum's finish.

Tom Tom Setting

1. Insert the two Tom Holders into the bracket on the Tom Holder Bracket as shown and tighten the wing nuts on the bracket. Set and lock the short tubes on the Tom Holders at roughly the angles shown. The tom arms are equipped with StopLocks that lock to the brackets on the bass drum and toms and keep the drums from rotating and memorize position settings for quick and repeatable set-ups (Fig.10).
2. Attach the toms to the Tom Holders and position the height and angles to your preference. When done, set the StopLocks into the slots in the Tom Holder Brackets to retain these settings (refer to the Set-Up Example illustration on the first page of this manual).

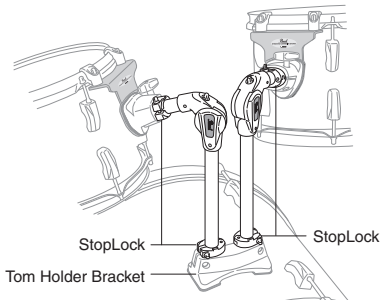


Fig.10

Drum Pedal Assembly

Hook the spring to the cam roller as shown. Insert the beater into the beater holder link and secure it with the provided drum key (Fig. 11). Clip the pedal to the back bass drum hoop and tighten the wing bolt on the hoop clamp to secure the pedal to the hoop (Fig. 12). Test the action of the pedal and adjust the spring tension to your preference by adjusting the upper and lower nuts below the spring. You can also adjust the PowerShifter forward or backward by loosening the key bolt at the heel plate to change the feel of the pedal from light, normal, and heavy; and adjust the angle of the beater by loosening the key bolt on the beater angle cam to increase or shorten the throw of the beater.

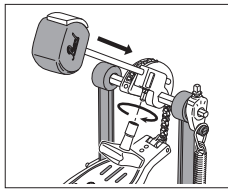


Fig.11

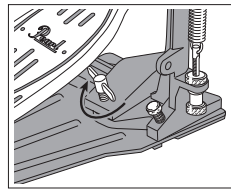
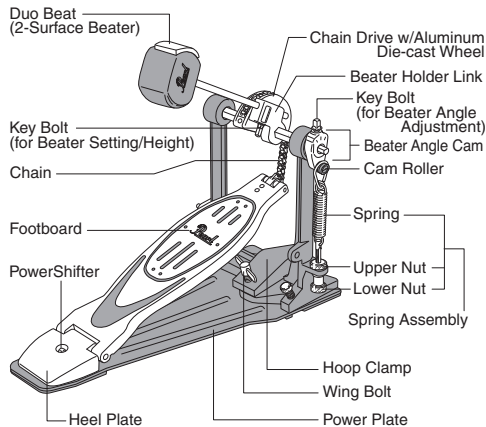


Fig.12



Hi-Hat Stand Assembly

Footboard Attachment

Open the legs of the stand and squeeze the Radius Rods together and insert the ends into the holes in the Support Casting as shown in the diagram. Stand the hi-hat base vertically by adjusting the width of the legs. Set the bottom of the Support Casting squarely on the floor to form a solid tripod (Fig. 13).

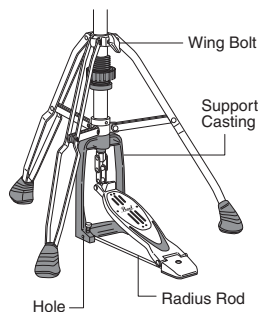


Fig.13
(Illust : H-900)

Upper Section Assembly

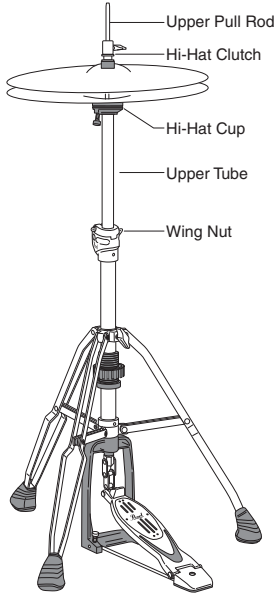
Thread the Upper Pull Rod into the Connector as shown in (Fig. 14-A).

Loosen the Key Bolt on the Stop Lock until the Stop Lock slides freely on the Upper Tube. Insert the Upper Tube into the Die Cast Joint and set the height to your preference then tighten the Wing Nut on the Die Cast Joint. Slide the Stop Lock against the Die Cast Joint and fit the tab into the slot in the Die Cast Joint and tighten the Key Bolt. The Stop Lock prevents the Upper Tube from slipping and "memorizes" the height position for quick reassembly.

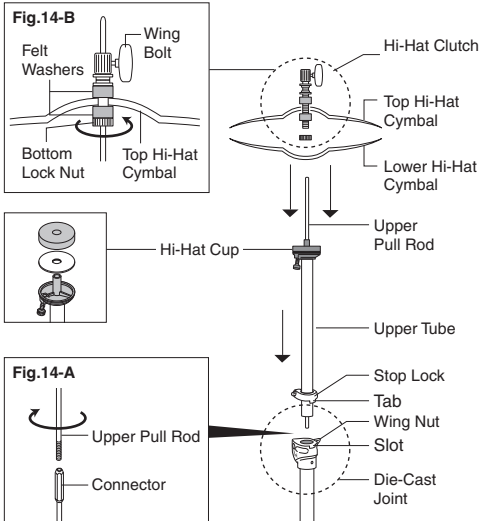
Place the Lower Hi-hat Cymbal on the Hi-hat Cup then attach the Top Hi-hat Cymbal to the Hi-hat Clutch in the order shown (Fig. 14-B). Tighten the Bottom Lock Nut securely.

Mount the Clutch with the Top Hi-hat Cymbal attached onto the Upper Pull Rod as shown.

Adjust the distance between the Top and Lower Hi-hat Cymbals to your preference and secure the Clutch to the Upper Pull Rod by tightening the Wing Bolt.



(Illust : H-900)



Cymbal / Boom Stand Assembly

Open the legs of the stand base to form a stable tripod and insert the Center Tube Assembly into the base. Next, insert the Upper Tube Assembly into the base. Adjust the angle of the Boom Gear and the Uni-Lock Tilter to position the cymbal to your preference. Secure all Wing Bolts and Wing Nuts before playing (Fig. 15).

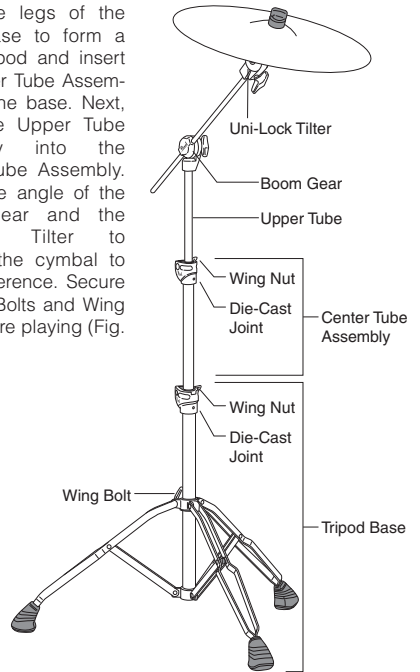


Fig.15
(Illust : BC-900)

Cymbal / Boom Stand Reversible Nut Assembly

Place the cymbal over the Cymbal Post and rest it on the Lower Felt Washer. Place the Upper Felt Washer on the cymbal followed by the Reversible Nut as shown (Fig. 16).

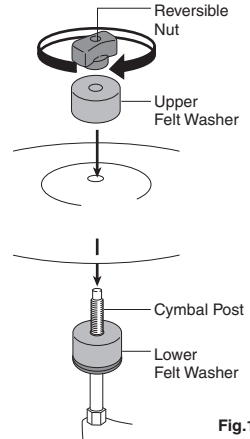


Fig.16

Reversible Nut

The Reversible Nut can be set right-side up to allow the cymbal freedom of motion (Fig.17-A), or upside-down to restrict the motion of the cymbal for a tighter sound (Fig.17-B). Crash the cymbal with a glancing blow to minimize breakage especially when the cymbal is tight.

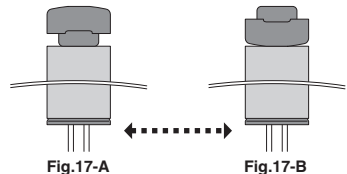


Fig.17-A

Fig.17-B

Snare Stand Assembly

Open the legs of the stand to form a stable tripod and insert the Top Section into the base. Open the basket and adjust the Butterfly Nut as needed to accommodate the snare drum. Place the snare drum into the basket with the strainer positioned where it can be conveniently operated and tighten the Butterfly Nut to hold the drum securely (do not overtighten).

Position the strainer where you can conveniently operate it with your left hand (Fig. 18).

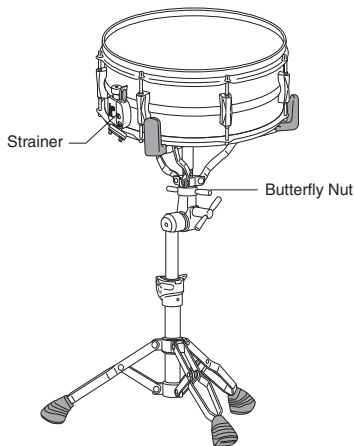
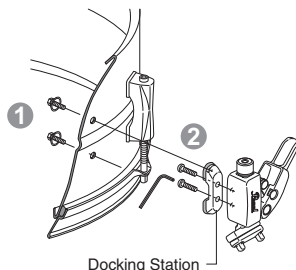


Fig. 18

"Duo-Motion" Strainer (for VISION Series ONLY)

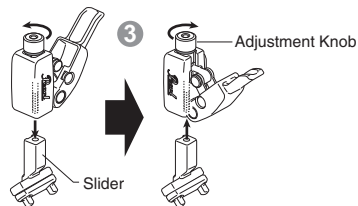
The "Duo-Motion" strainer can be converted from traditional side-to-side to "Gladstone-type" lever action by following the steps below.

1. Loosen the mounting screws and remove the strainer/docking station from the shell.
2. Dismantle the docking station from the strainer by removing the mounting screws using the 3 mm hex wrench.



3. Turn the adjustment knob counterclockwise to remove the slider from the strainer.

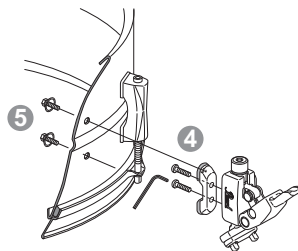
Position the slider in the direction shown and turn the adjustment knob clockwise to reattach the slider to the strainer.



4. Reattach the docking station to the strainer using the 3 mm hex wrench.

5. Reattach the strainer/docking station to the shell.

*Follow the same steps to restore the strainer to the original factory-set position.

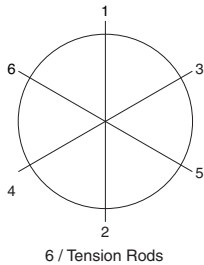


Basic Tuning

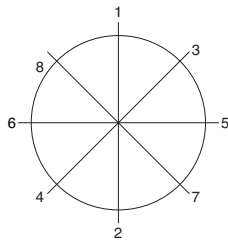
Here is the basic tuning method using the snare drum as an example. Gradually tighten the tension bolts using a crisscross pattern as shown. Tap the head at each tension rod in a zone between 20mm and 30mm from the rim as shown below and listen to the pitches. Adjust the tuning as needed to achieve uniform pitch all around the head. Most drummers tune the bottom head of the snare drum slightly higher than the top.

Basically, the tom toms and bass drum are tuned the same way as the snare drum. However, there are three ways to tune the top and bottom heads: tune both heads to the same pitch, tune the bottom head tighter than the top, or tune the bottom head looser than the top. Experiment to find the tuning method that works best for you.

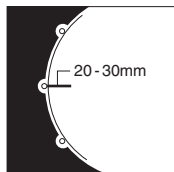
You can control excessive "ring" with after-market drum heads or muffling devices. A simple and effective way to muffle your bass drum is to put a blanket inside. Additionally, many drummers like to port the front bass drum head for a more controlled sound. Remo DynamO's work great as a hole cutting template and hole protector.



6 / Tension Rods



8 / Tension Rods



Tuning Points

•••••
• Please refer to the Set-Up Example on the cover
• page of this manual to see the completed kit.
•••••



<http://www.pearldrums.com>

Products and specifications are subject to change without notice.

Printed in Taiwan.